

# AutoLoadBaler – More time for the core business

1

Automatic filling  
of the baler



## Annual savings up to 4,000 hours with the ALB



- ✓ Convenient and fast collection
- ✓ No tearing of cartons
- ✓ No filling and waiting time
- ✓ Less walkways & forklift rides
- ✓ No risk of injury
- ✓ Individually designed collection trolleys
- ✓ Clean and uniform disposal
- ✓ More time for the core business

## Automatic filling



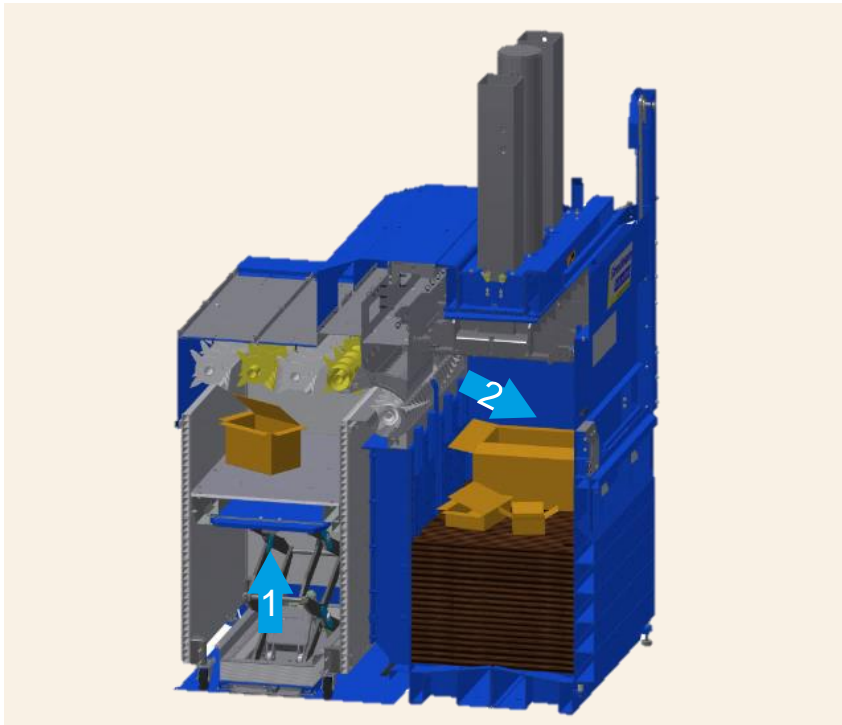
Filling before: Balers, press containers and screw compactors  
The manual filling is time consuming, requires high personnel costs and waiting times accure. -> 4 x more expenses



Filling now: Automatic emptying  
The collection trolley is pushed into the side of the AutoLoadBaler within seconds and is emptied by itself. No waiting time and staff costs. -> time for the core business

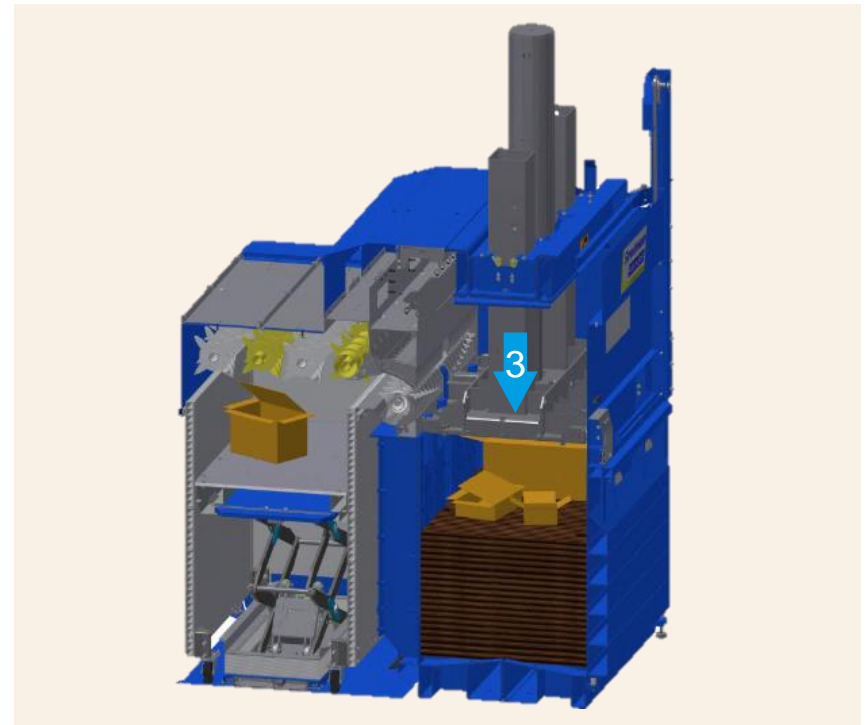
# AutoLoadBaler

## Function



### Emptying of the collection trolley

The bottom of the collection trolley automatically moves up. The cardboard is then conveyed evenly through rotors into the press chamber. No space-consuming lifting and tipping of the trolleys.



### Compaction of the cardboard

The pressing process starts automatically and the cardboard is compacted with 530kN press force into 400-450kg bales.

## Central and weather independent installation



### Installation directly at the source of material

The AutoLoadBaler can be placed centrally without structural changes. A costly foundation, as in case of using a screw compactor is not necessary.



### No loss of space

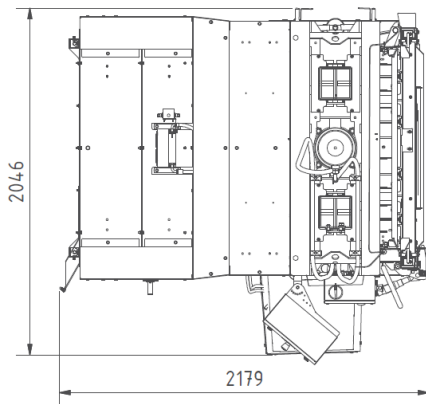
The pallet space at the bale ejection is not lost. The area needs to be free only about 2 - 3 times a week for bale removal in case of 60t of cardboard per year.

# Nobody else is as compact!

## Small footprint

AutoLoadBaler:

2 x 2m footprint

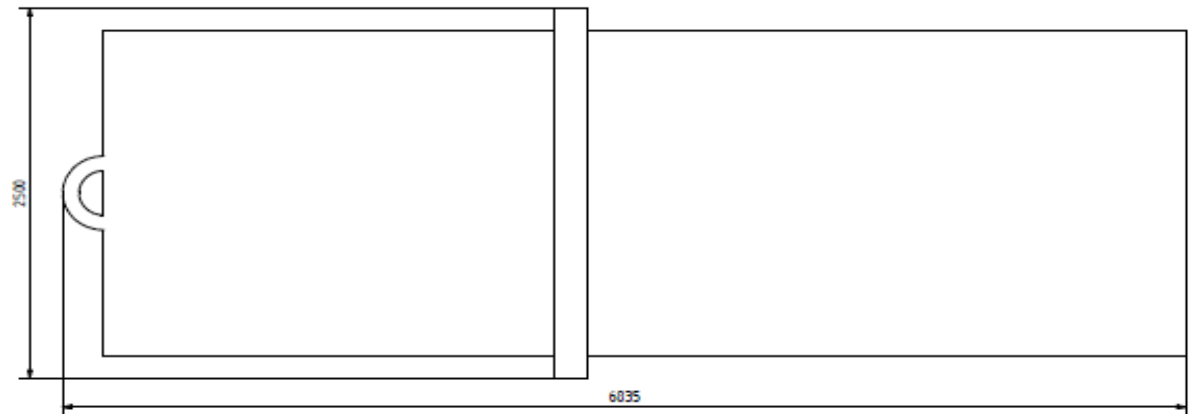


\*The collection trolley can be inserted from the right and from the left side, depending on customer requirements.

>> 4m<sup>2</sup> footprint

Presscontainer:

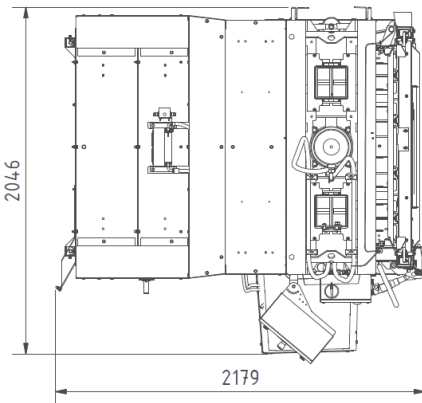
2 x 7m footprint



>> 14m<sup>2</sup> footprint

# Nobody else is as compact!

AutoLoadBaler:  
2 x 2m footprint



\*The collection trolley can be inserted from the right and from the left side, depending on customer requirements.

>> 4m<sup>2</sup> footprint

Comparable systems:  
2 x 7m footprint



\*Material insertion by lift and tilt function is only possible from one side.

>> 14m<sup>2</sup> footprint

# Order and cleanliness

With the Strautmann collection trolleys the disposal is uniform and clean

### Before:

Low filling volume and overfilled containers.  
There is disorder and an inconsistent disposal.



Messy collection in the production



Messy collection in the sales room

### Now:

High filling volume of the collection trolley and a uniform and clean disposal.



Tidy collection with collection trolleys



# Individual design of the collection trolley

For a visually appropriate atmosphere!

## Individual design

The collection trolley can be designed individually and serve as a free advertising space.

## Large volume collection trolley

Thanks to the high filling volume of the collection trolley, larger and bulky cartons fit into the collection trolley.

## Cleanliness

The smooth surfaces of the collection cart prevent the tilting of cardboard and allow a quick and easy cleaning.



Collection trolley in grocery stores at EDEKA Klein-Heßling



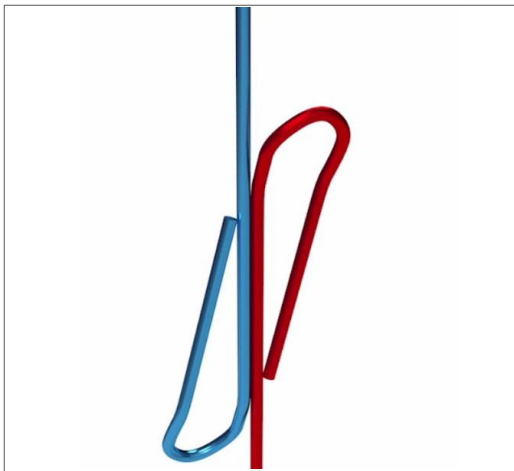
Collection trolley in grocery stores at REWE Stenten



Individual print with company logo

# Baling

The bales can be tied with wire or strap.



Quick closing: Quicklink wire



Hanging wire



Strap tying

## AutoLoadBaler bale



### Bale ejection

With a two-hand operation the hydraulic bale ejection starts and the bale is delivered safely and comfortably.

- ✓ The **bale density** of AutoLoadBaler bales is often more than **50 % higher**, compared to other balers.
- ✓ The **bale handling** for staff is reduced by 50%. Moreover **50% less expendable items and space** are required.
- ✓ The **bales** are directly marketable and there is no need to pre-compact them. So they **achieve high revenues**.

>> More time. More space. More revenues.

## Time saving and safety

Your trust in us

### >> Walk ways reduced



„The key point is that we **reduced our collections from 27.778 to 7.018 collections**. We are now running 2,000 hours less with our disposal and saved a high amount of money. ”



Josef Stenten, Managing Director, Rewe Stenten in Aachen

### >> High work safety



"We have a closed system with the AutoLoadBaler, which is very important to me as a specialist for **work safety** and there is **no way to intervene the machine while running**."



Daniel Kleiner, Specialist for work safety, Albert Berner Deutschland GmbH in Künzelsau

## Reduction of costs



With the AutoLoadBaler you get rid of:

- ✓ Rental costs
- ✓ Occupied ramp places
- ✓ Risk of injury
- ✓ High forklift traffic
- ✓ Untidy disposal
- ✓ Manual filling
- ✓ Long walk ways
- ✓ Space wasting

>> Reduction of walking ways

by Ø 45 %

## Good to know

### Nice to have

#### Always available

If cartons need to be pressed without collection trolleys, manual insertion into the press is always available at the door.



Manual insertion

#### AutoLoadBaler<sup>ready</sup>

The AutoLoadBaler<sup>ready</sup> is prepared with an interface so that it can be extended to the AutoLoadBaler. The collection unit can be added anytime.



AutoLoadBaler<sup>ready</sup>

#### Optional equipment

There are individually customizable solutions to provide a mount for attach film bags, cleaning bucket or other goods.



Collection trolley with film bag

## Economic disposal

Improve your disposal logistics and protect the environment



Strautmann Umwelttechnik GmbH  
Auf dem Haarkamp 22, 49219 Glandorf



[info@strautmann-umwelt.de](mailto:info@strautmann-umwelt.de)



+49 (0) 5426 80777-0



[www.strautmann-umwelt.com](http://www.strautmann-umwelt.com)